

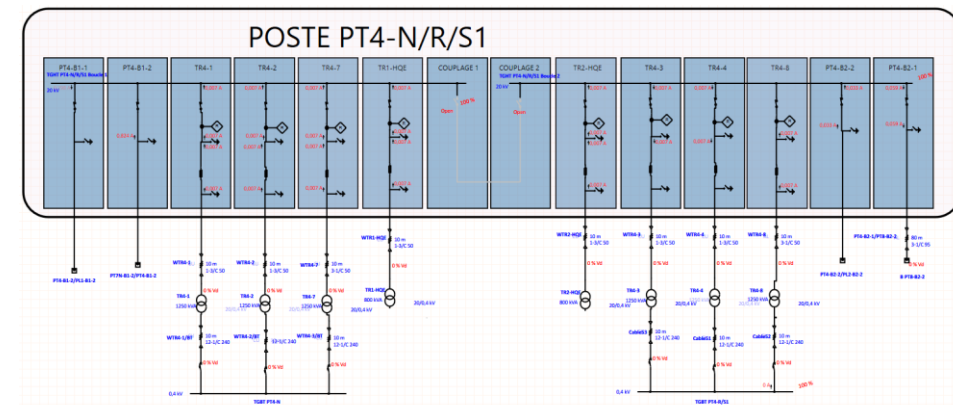
High Voltage / Low Voltage Electricity 1/2

At the heart of this expertise: all the calculations, modelling and studies aimed at defining, making reliable and secure the power supply of sites, industrial units or systems. Ekium follows you, from audit to implementation, in all your needs in terms of electrical power supply: new projects, redesign or reliability. Ekium can also carry out "turnkey" projects in the context of electrical renovation.



THE KNOW-HOW

- ⌚ Audit of the reliability of the HV/LV power supply
- ⌚ Project management for the renovation and reliability of HV installations, GE power station, corrugated distribution...
- ⌚ Audit of the reliability of the HV/LV power supply
- ⌚ Modelling and simulations using software
- ⌚ Operations prior to reception, commissioning
- ⌚ Measurement of harmonics
- ⌚ Turnkey projects



High Voltage / Low Voltage Electricity 1/2

SECTORS

- ⇒ Data Center
- ⇒ Hospitals
- ⇒ Chemistry / Petrochemicals
- ⇒ Energy & Environment
- ⇒ Nuclear
- ⇒ Oil and gas
- ⇒ Paper Industry
- ⇒ Lifes Sciences

DELIVRABLES

- › Single-wire HV/LV distribution diagram
- › Reliability audit report
- › Power balances (normal power supply, backed up, corrugated...),
- › Calculation notes, dimensioning (cables, protections, Generating sets...),
- › Layout plan for equipment, routing, cables...
- › Detail drawings of low-voltage switchgear and LV cabinets

SOFTWARE

- ⇒ ETAP
- ⇒ CANECO HT
- ⇒ CANECO BT
- ⇒ SOLIDWORKS ELECTRICAL
- ⇒ SEE ELECTRICAL



- › Functional analysis (Distribution HV, power plants GE, Corrugated distribution.)
- › Selectivity study, protection settings sheet,
- › Technical brief, (Basic Engineering Design, Front End Engineering Design), study report, budget estimate, planning...
- › Conformity with specific terms and conditions for the consultation of the works
- › Support and Interfaces with HVAC batches, Civil Engineering/Structure, Electricity Instrumentation Automation